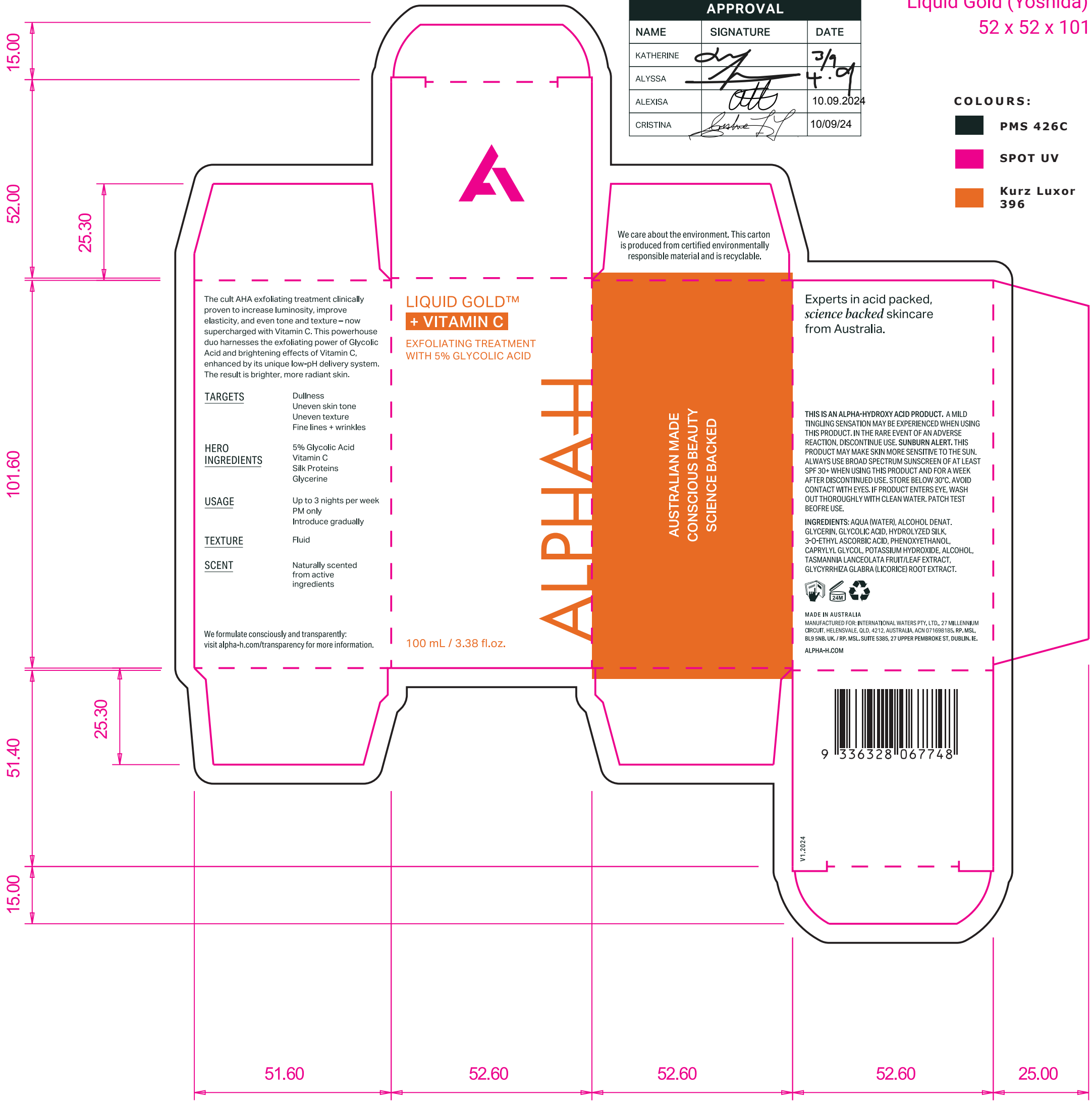


APPROVAL		
NAME	SIGNATURE	DATE
KATHERINE		3/9
ALYSSA		4.9
ALEXISA		10.09.2024
CRISTINA		10/09/24

- COLOURS:**
- PMS 426C
 - SPOT UV
 - Kurz Luxor 396



15.00
52.00
25.30
101.60
51.40
25.30
15.00

The cult AHA exfoliating treatment clinically proven to increase luminosity, improve elasticity, and even tone and texture – now supercharged with Vitamin C. This powerhouse duo harnesses the exfoliating power of Glycolic Acid and brightening effects of Vitamin C, enhanced by its unique low-pH delivery system. The result is brighter, more radiant skin.

TARGETS
Dullness
Uneven skin tone
Uneven texture
Fine lines + wrinkles

HERO INGREDIENTS
5% Glycolic Acid
Vitamin C
Silk Proteins
Glycerine

USAGE
Up to 3 nights per week
PM only
Introduce gradually

TEXTURE
Fluid

SCENT
Naturally scented from active ingredients

LIQUID GOLD™
+ VITAMIN C
EXFOLIATING TREATMENT
WITH 5% GLYCOLIC ACID

ALPHA-H

We care about the environment. This carton is produced from certified environmentally responsible material and is recyclable.

**AUSTRALIAN MADE
CONSCIOUS BEAUTY
SCIENCE BACKED**

Experts in acid packed,
science backed skincare
from Australia.

THIS IS AN ALPHA-HYDROXY ACID PRODUCT. A MILD TINGLING SENSATION MAY BE EXPERIENCED WHEN USING THIS PRODUCT. IN THE RARE EVENT OF AN ADVERSE REACTION, DISCONTINUE USE. SUNBURN ALERT. THIS PRODUCT MAY MAKE SKIN MORE SENSITIVE TO THE SUN. ALWAYS USE BROAD SPECTRUM SUNSCREEN OF AT LEAST SPF 30+ WHEN USING THIS PRODUCT AND FOR A WEEK AFTER DISCONTINUED USE. STORE BELOW 30°C. AVOID CONTACT WITH EYES. IF PRODUCT ENTERS EYE, WASH OUT THOROUGHLY WITH CLEAN WATER. PATCH TEST BEFORE USE.

INGREDIENTS: AQUA (WATER), ALCOHOL DENAT. GLYCERIN, GLYCOLIC ACID, HYDROLYZED SILK, 3-O-ETHYL ASCORBIC ACID, PHENOXYETHANOL, CAPRYLYL GLYCOL, POTASSIUM HYDROXIDE, ALCOHOL, TASMANNIA LANCEOLATA FRUIT/LEAF EXTRACT, GLYCYRRHIZA GLABRA (LICORICE) ROOT EXTRACT.



MADE IN AUSTRALIA
MANUFACTURED FOR: INTERNATIONAL WATERS PTY. LTD., 27 MILLENNIUM CIRCUIT, HELENSVALE, QLD, 4212, AUSTRALIA, ACN 071698185. RP.MSL. BLS9 5NB.UK / RR. MSL. SUITE 5385, 27 UPPER PEMBROKE ST, DUBLIN, IE.
ALPHA-H.COM

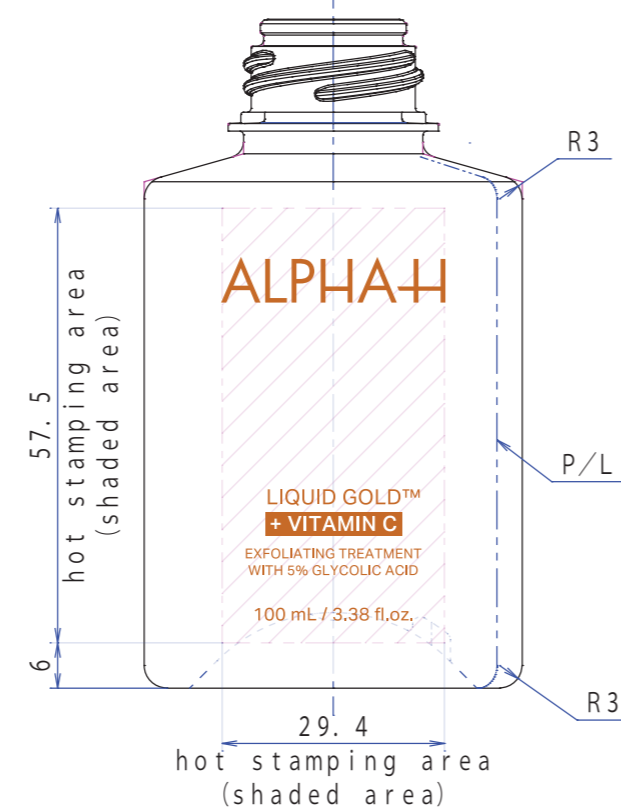
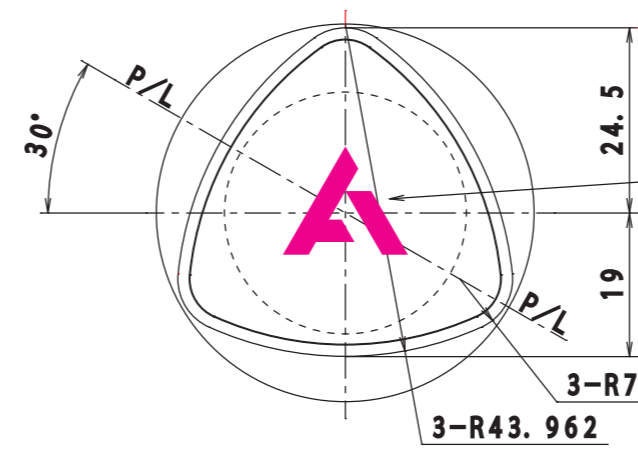
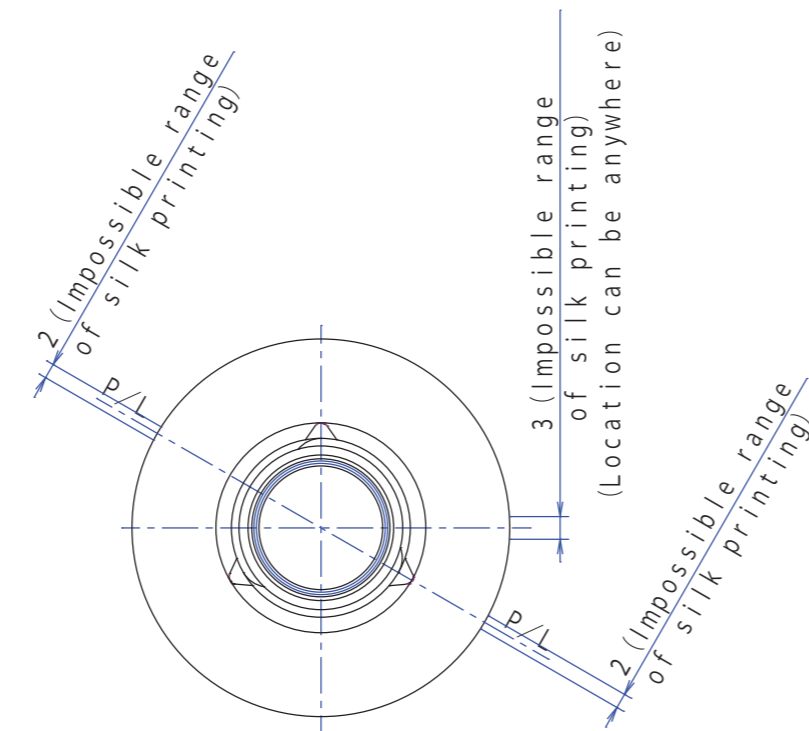


51.60 52.60 52.60 52.60 25.00

V1.2024

We formulate consciously and transparently:
visit alpha-h.com/transparency for more information.

100 mL / 3.38 fl.oz.



Total area of hot stamping must be less than 7cm²

Hot stamping

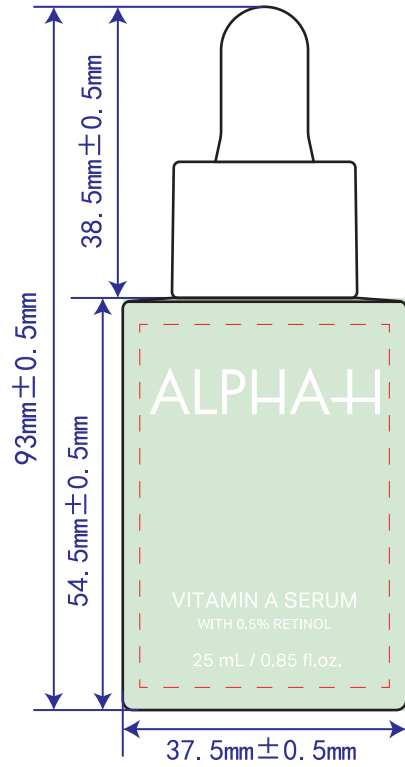


APPROVAL		
NAME	SIGNATURE	DATE
KATHERINE		
ALYSSA		
ALEXISA		
CRISTINA		

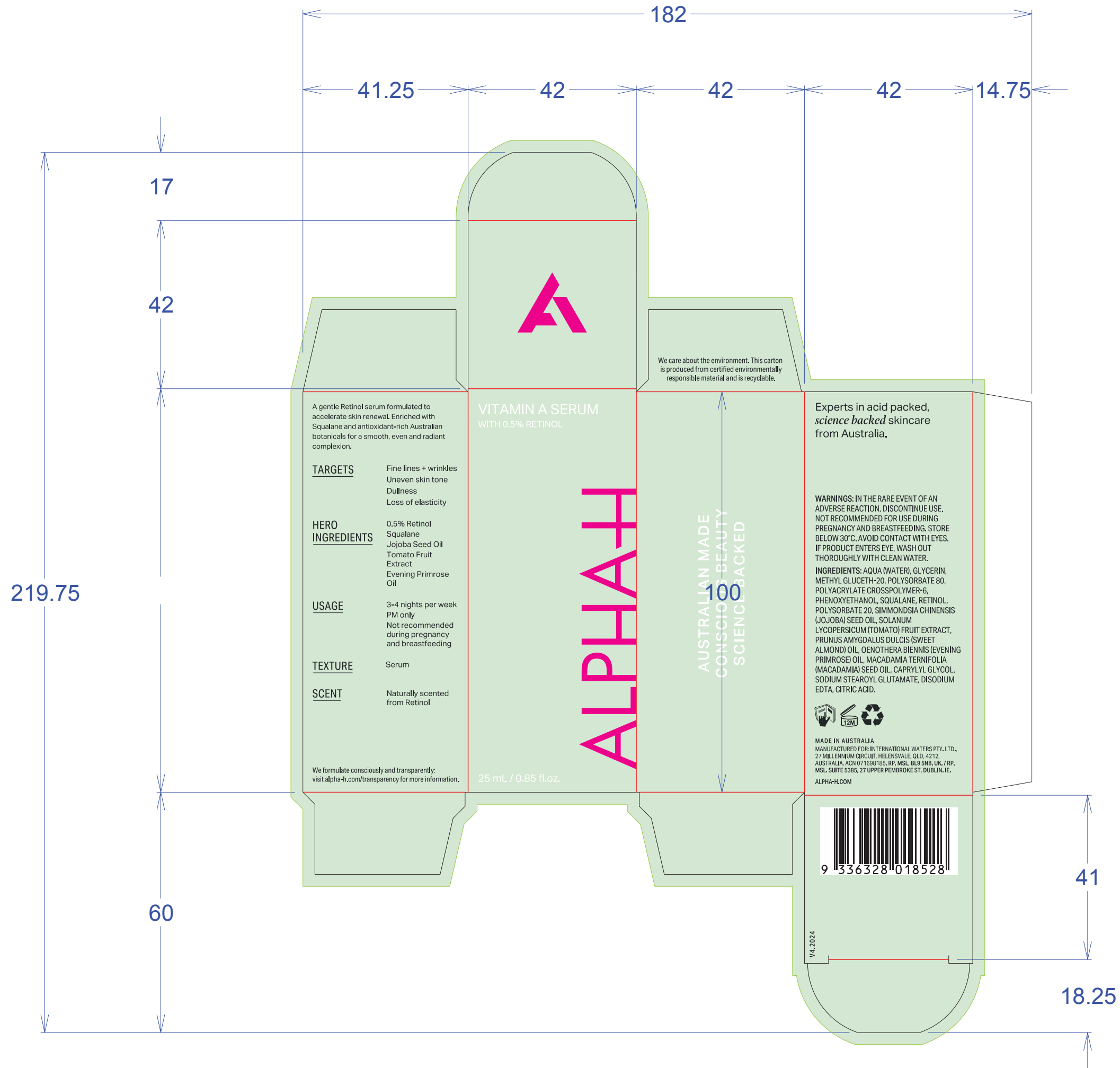
- 89 + 15% GLITTER
- PMS 426C
- DEBOSSSED

				Material	PET	Tolerance ±0.3	Scale	1:1	ALPHA H	
				Design	Drawn	Checked	Checked	DWG Name	Liquid gold 100ml Bottle	
				M. KUMAGAI	M. IKEHARA	S. NONAKA		Common Item Names	General Acid Tonic 100ml Clear Skin Tonic 100ml	
				Code	Revision	Date	Signature	DWG or Part No	106N	
				t=0.95mm, OFC=120±3ml, Weight:22g				Mold No	106N-01	
								YOSHIDA COSMEWORKS CO., LTD. YOSHIDA INDUSTRIES CO., LTD.		

mark means adjust after first try



■ PMS 426 C
■ PMS 9561 C



 <p>Labelmakers Group Pty Ltd NSW Carbon Division Unit 1 & 2, 88 Berrima Street Northmead NSW 2150 Phone 9645 6822 Fax 022798 8833</p>	Customer	Alpha H	Board Grade	500ums White Board	LM12070			
	Description	Vitamin A Serum 25ml	Blank size	182 x 219.75		Date: 09/11/22		
	Rep	Gary Gravenall	L x W x D	42.00 x 42.00 x 100.00	<table border="1"> <tr> <td>←</td> <td>PSU</td> <td>mm</td> </tr> </table>	←	PSU	mm
	←	PSU	mm					
	Side of Design	printed	APPROVED BY	DATE				
Grain / Flute	horizontal	<i>This design is property of Labelmakers Pty Ltd and may not be disclosed to a third party</i>						

- COLOURS:**
- PMS 426C
 - PMS 9561 C
 - SPOT UV

